



### TFT-100 LCD Monitor Lift

#### Features

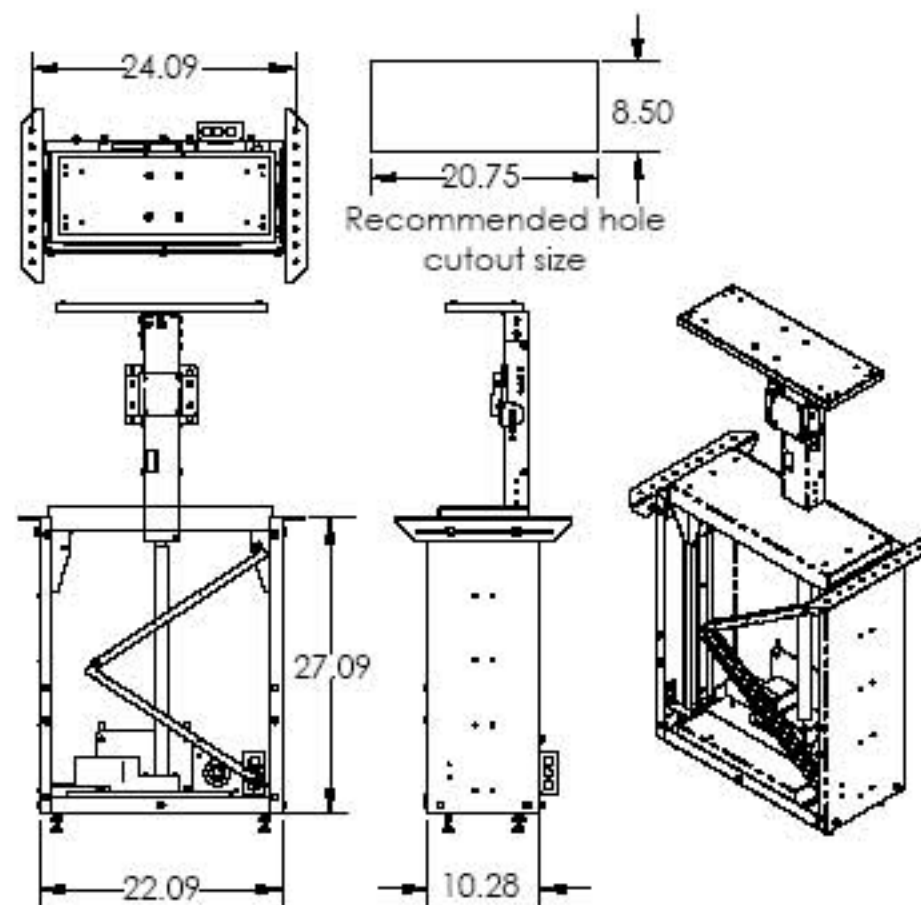
- Raises a flat panel display from within a table, credenza or kiosk
- Maximum vertical range of travel - 19.5"
- Incorporates a tilt mount +/- 3°, VESA standard
- Integrated top closure panel or design your own
- Programmable show/up position
- Includes programmable wired hand-held remote
- Quiet, smooth drive mechanism
- Unit can be mounted to underside of table or supported by the unit base - mounting bracket and leveling feet included
- "Finger guard" safety sensor - pressure sensor detects obstructions and will stop movement then raise up one inch
- Optional camera shelf available

#### Specifications

- Maximum flat panel size: 20" w x 17" h
- Weight capacity: 30 lbs. including top
- Electronics include programmable controller, power supply, and drive motor
- Integrated cable management
- Controlled via contact closure
- Power requirements: 90/220 VAC, 1 amp
- Specify flat panel make/model
- Includes VESA Standard 75/100mm tilt mount
- 1 year warranty

#### Dimensions

22.09" w x 10.28" d x 27.09" h 65 lbs.



Contact Sales for dimensional drawings

Metric conversion: inches x 25.4